

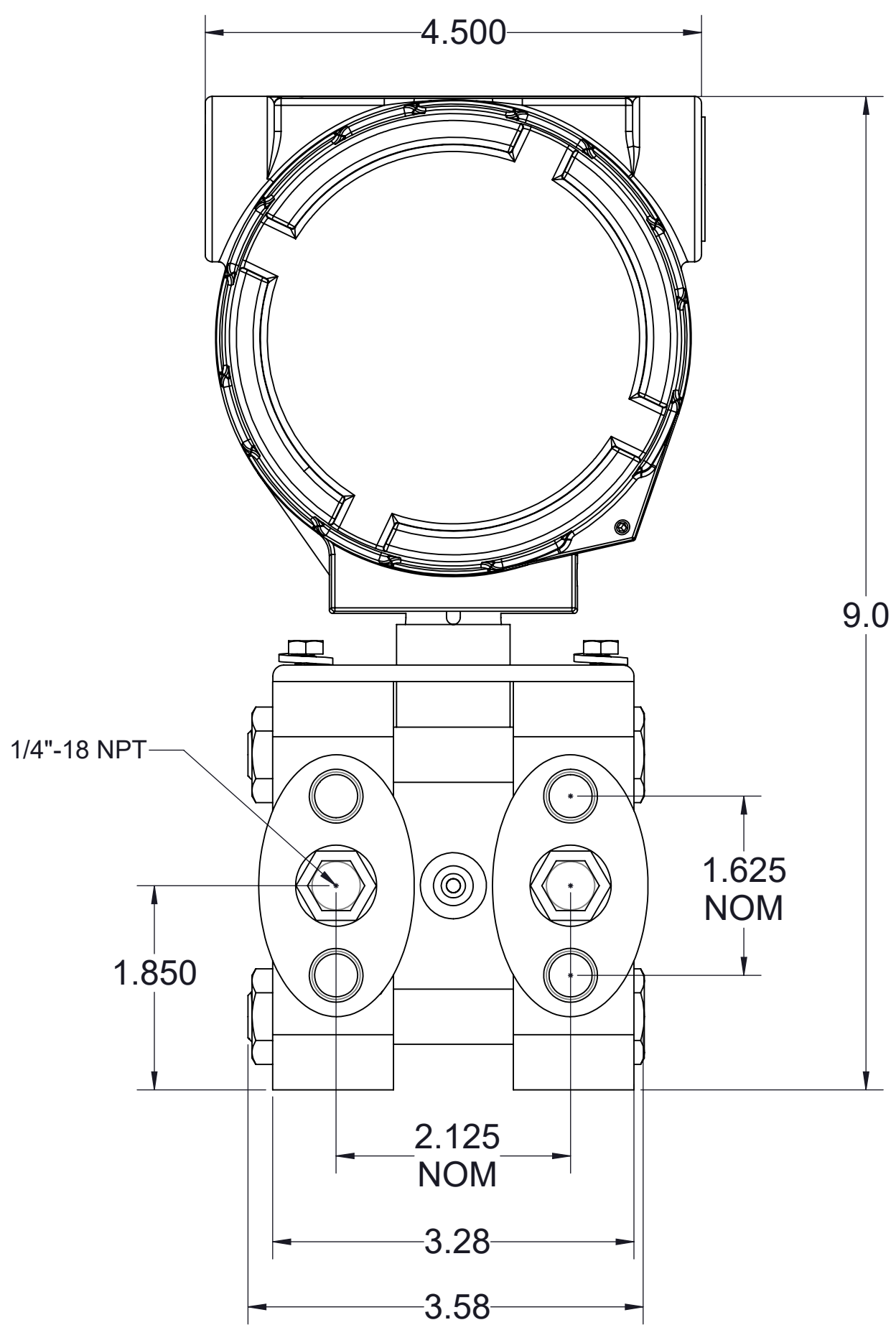
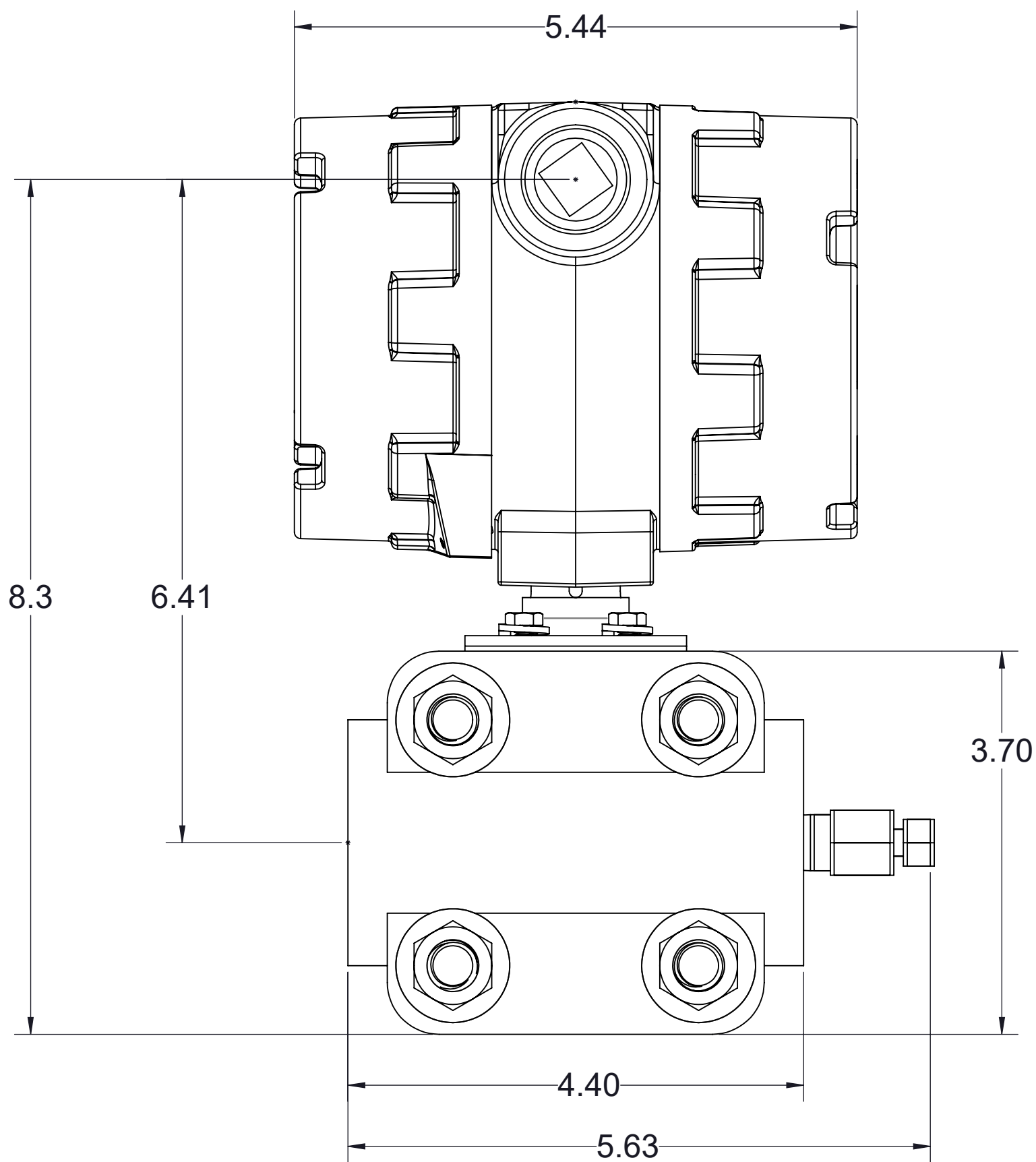
4

3

2

1

REVISION HISTORY					
REV	ECN	DESCRIPTION	BY	APPROVED	DATE MM/DD/YY
0	19036	INITIAL RELEASE	TMC	TMC/MM	11/9/2020



<p>NOTICE: PROPRIETARY INFORMATION. THIS DOCUMENT MAY NOT BE REPRODUCED OR USED FOR MANUFACTURING PURPOSES EXCEPT WHEN NECESSARY TO FULFILL CONTRACTUAL REQUIREMENTS WITH ULTRA ELECTRONICS, NSPI OR WITH PRIOR WRITTEN CONSENT OF ULTRA ELECTRONICS, NSPI.</p>	<p>UNLESS OTHERWISE NOTED DIMENSIONS ARE IN INCHES. DO NOT SCALE DRAWING</p>	<p>Ultra ELECTRONICS Nuclear Sensors & Process Instrumentation Round Rock, Texas, USA www.ultra-nspi.com <small>Ultra Electronics, Nuclear Sensors & Process Instrumentation is a business name of Weed Instrument Co., Inc.</small></p>																			
	<p>TOLERANCES UNLESS OTHERWISE SPECIFIED.</p> <table border="0"> <tr> <td>DECIMALS</td> <td>FRAC</td> </tr> <tr> <td>.xxx ±0.005</td> <td>±1/32</td> </tr> <tr> <td>.xx ±0.01</td> <td>ANG ±5°</td> </tr> <tr> <td>.x ±0.1</td> <td></td> </tr> </table>	DECIMALS	FRAC	.xxx ±0.005	±1/32	.xx ±0.01	ANG ±5°	.x ±0.1		<table border="1"> <tr> <th>APPROVALS</th> <th>DATE MM/DD/YY</th> </tr> <tr> <td>DRAWN TC</td> <td>11/9/20</td> </tr> <tr> <td>ENGR TC</td> <td>11/9/20</td> </tr> <tr> <td>REVIEW MM</td> <td>11/9/20</td> </tr> <tr> <td>QUAL</td> <td></td> </tr> </table>	APPROVALS	DATE MM/DD/YY	DRAWN TC	11/9/20	ENGR TC	11/9/20	REVIEW MM	11/9/20	QUAL		<p>TITLE</p> <p>DTC3 PRESSURE TRANSMITTER DIMENSIONAL OUTLINE DRAWING</p>
	DECIMALS	FRAC																			
	.xxx ±0.005	±1/32																			
.xx ±0.01	ANG ±5°																				
.x ±0.1																					
APPROVALS	DATE MM/DD/YY																				
DRAWN TC	11/9/20																				
ENGR TC	11/9/20																				
REVIEW MM	11/9/20																				
QUAL																					
<p>THIRD ANGLE PROJECTION</p>	<table border="1"> <tr> <th>SIZE</th> <th>CAGE CODE</th> <th>DWG. NO.</th> <th>REV.</th> </tr> <tr> <td>C</td> <td>33969</td> <td>0029-200-2002</td> <td>0</td> </tr> </table>	SIZE	CAGE CODE	DWG. NO.	REV.	C	33969	0029-200-2002	0												
SIZE	CAGE CODE	DWG. NO.	REV.																		
C	33969	0029-200-2002	0																		
<p>SCALE: 4:5 CAD FILE SEE DWG NO SHEET 1 OF 2</p>																					

4

3

2

1

D

D

C

C

B

B

A

A

4

3

2

1

WALL MOUNT MOUNTING KIT 0338-004-0048

MOUNTING HARD **NOT** SUPPLIED BY ULTRA ENERGY

ITEM	DESCRIPTION	QTY
1	BOLT: 3/8-16 UNC (ASME SA-193 B8, CLASS 2)	4
2	FLAT WASHER: 3/8" 304SS (ASME B18.22.1)	4
3	NUT: 3/8"-16 UNC (ASME SA-194 GR8 HEAVY HEX)	4
4	SPLIT LOCK WASHER: 3/8 304SS (ASME B18.22.1)	4

D

D

C

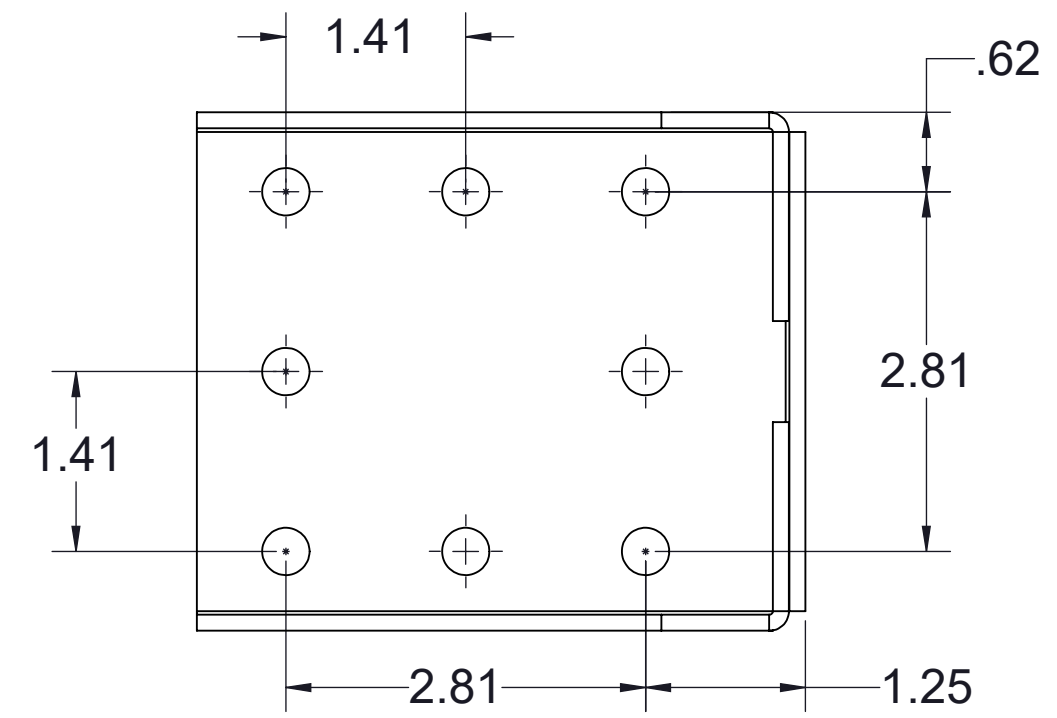
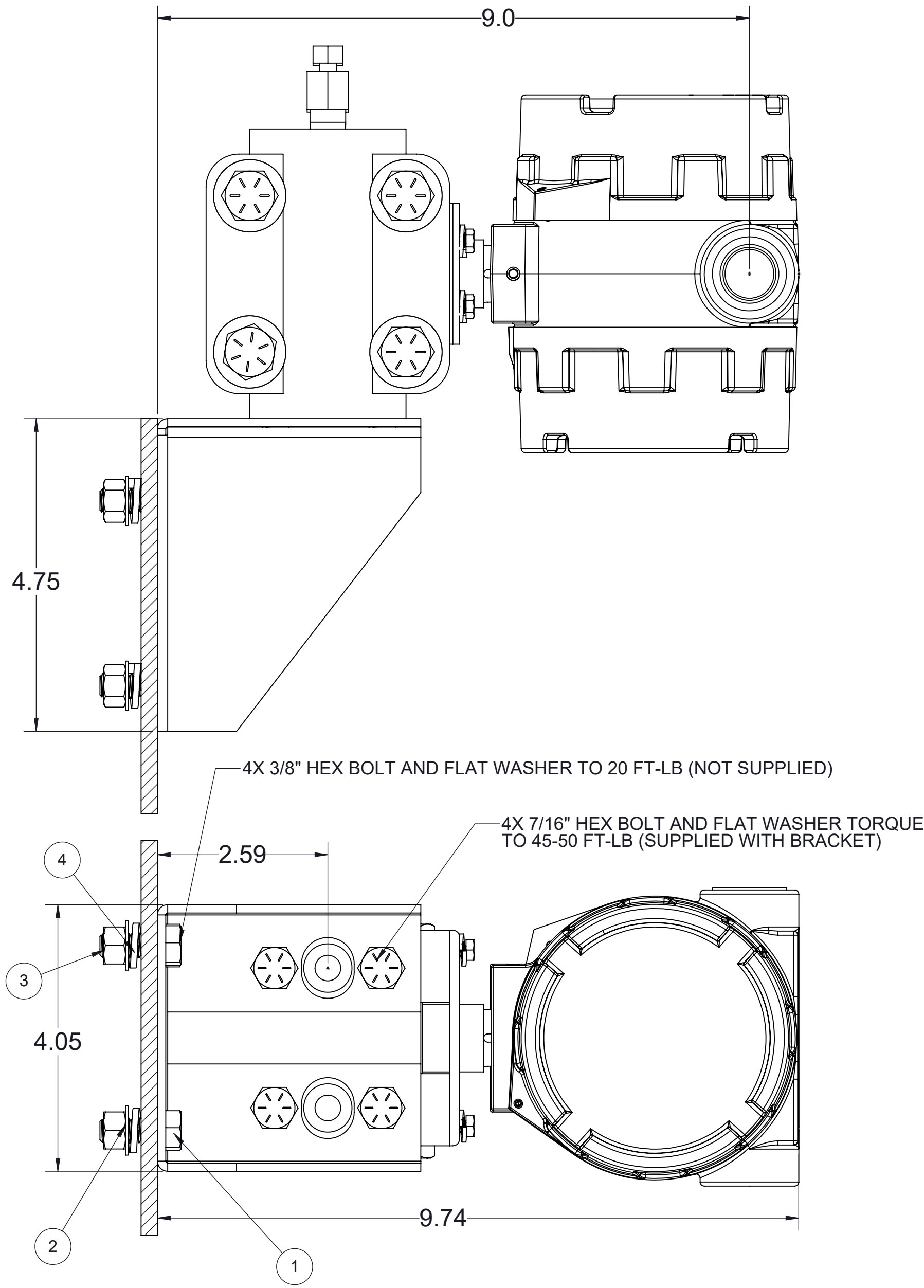
C

B

B

A

A



NOTICE: PROPRIETARY INFORMATION. THIS DOCUMENT MAY NOT BE REPRODUCED OR USED FOR MANUFACTURING PURPOSES EXCEPT WHEN NECESSARY TO FULFILL CONTRACTUAL REQUIREMENTS WITH ULTRA ELECTRONICS, NSPI OR WITH PRIOR WRITTEN CONSENT OF ULTRA ELECTRONICS, NSPI.

Ultra ELECTRONICS Nuclear Sensors & Process Instrumentation
Round Rock, Texas, USA
www.ultra-nspi.com

SIZE	CAGE CODE	DWG. NO.	REV.
C	33969	0029-200-2002	0
SCALE: 2:3	CAD FILE	SEE DWG NO.	SHEET 2 OF 2

4

3

2

1