

4

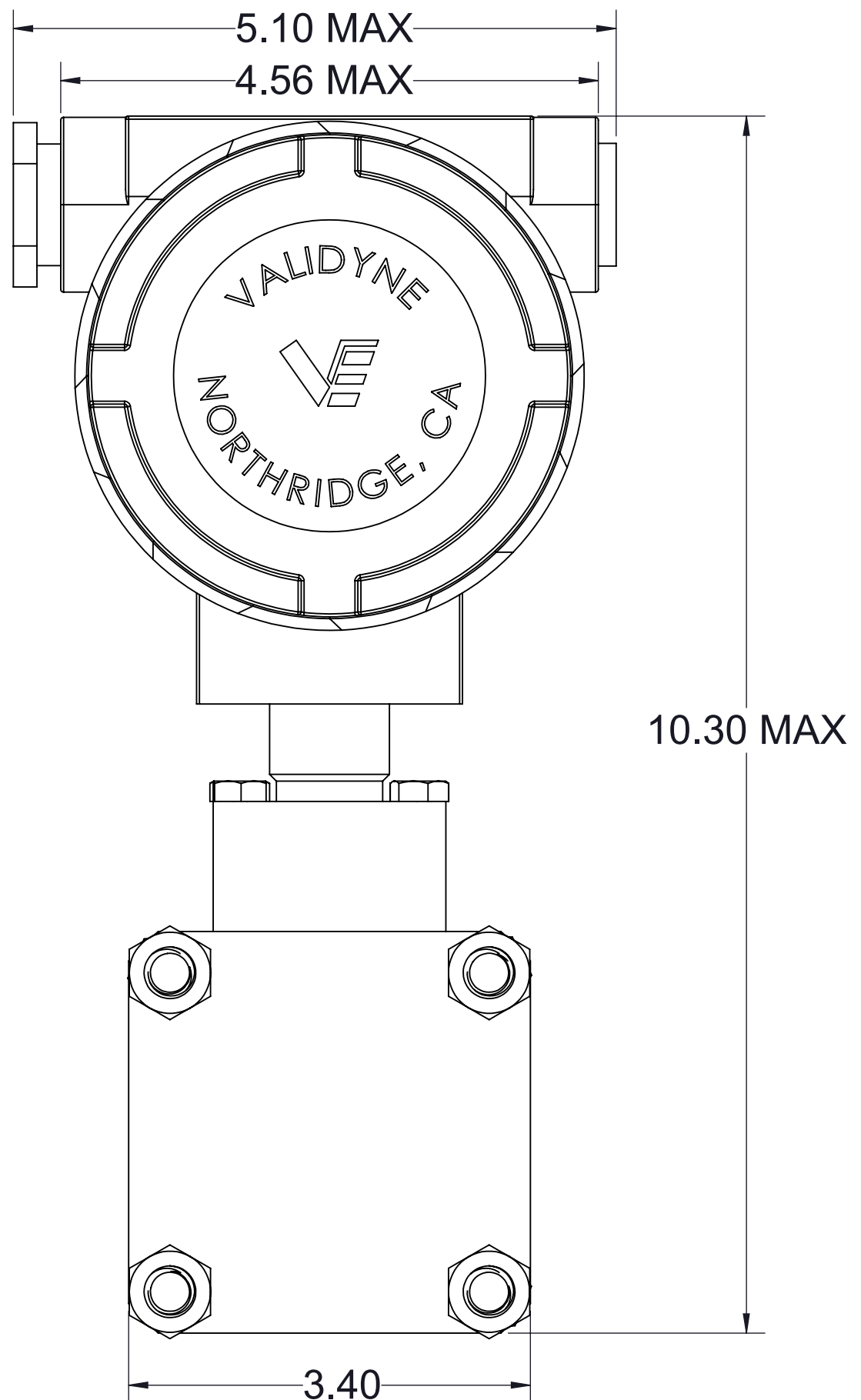
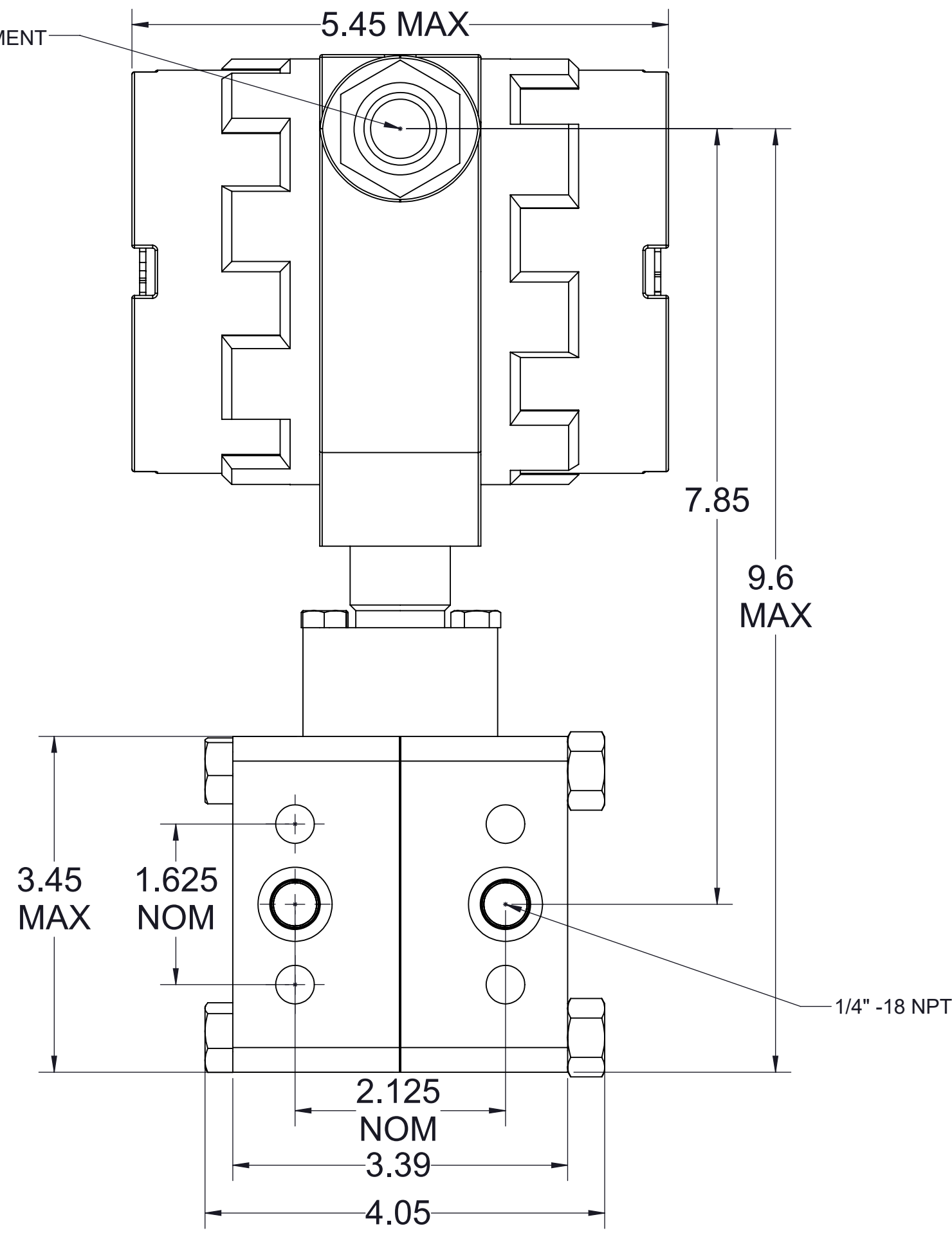
3

2

1

REVISION HISTORY					
REV	ECN	DESCRIPTION	BY	APPROVED	DATE MM/DD/YY
0	19035	INITIAL RELEASE	TMC	TMC/MM	11/9/20

3/4"-14 NPT CONDUIT CONNECTION (2 PLACES), 3/4"-14 TO 1/2"-14 NPT ADAPTERS ARE SUPPLIED WITH EACH INSTRUMENT



- NOTES:**
- WEIGHT: 16 LB (TRANSMITTER WITHOUT BRACKET OR ACCESSORIES)
 - OPTIONAL SEISMIC MOUNTING BRACKET 1000-520-0015T (1.9 lb)

NOTICE: PROPRIETARY INFORMATION. THIS DOCUMENT MAY NOT BE REPRODUCED OR USED FOR MANUFACTURING PURPOSES EXCEPT WHEN NECESSARY TO FULFILL CONTRACTUAL REQUIREMENTS WITH ULTRA ELECTRONICS, NSPI OR WITH PRIOR WRITTEN CONSENT OF ULTRA ELECTRONICS, NSPI.

UNLESS OTHERWISE NOTED DIMENSIONS ARE IN INCHES. DO NOT SCALE DRAWING

TOLERANCES
UNLESS OTHERWISE SPECIFIED.

DECIMALS	FRAC
.xxx ±0.005	±1/32
.xx ±0.01	ANG ±5°
.x ±0.1	

THIRD ANGLE PROJECTION

APPROVALS	DATE MM/DD/YY
DRAWN TMC	11/6/20
ENGR TMC	11/9/20
REVIEW MM	11/9/20
QUAL	

Ultra ELECTRONICS Nuclear Sensors & Process Instrumentation
Round Rock, Texas, USA
www.ultra-nspi.com
Ultra Electronics, Nuclear Sensors & Process Instrumentation is a business name of Weed Instrument Co., Inc.

TITLE: N-DR800D DRAFT RANGE PRESSURE TRANSMITTER DIMENSIONAL OUTLINE DRAWING

SIZE C	CAGE CODE 33969	DWG. NO. 0029-200-2001	REV. 0
--------	-----------------	------------------------	--------

SCALE: 4:5 CAD FILE SEE DWG NO SHEET 1 OF 2

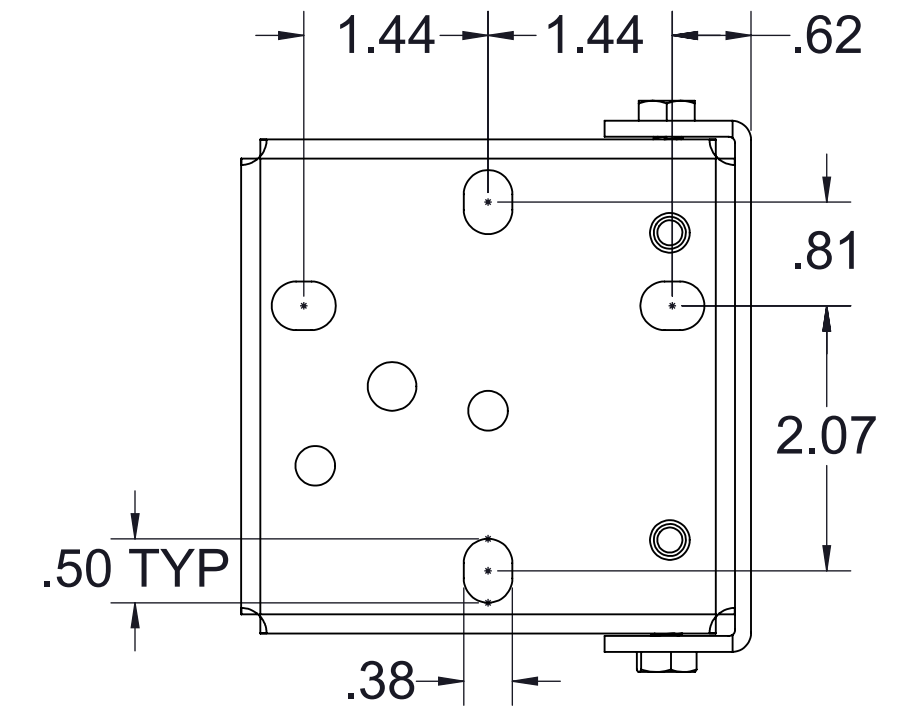
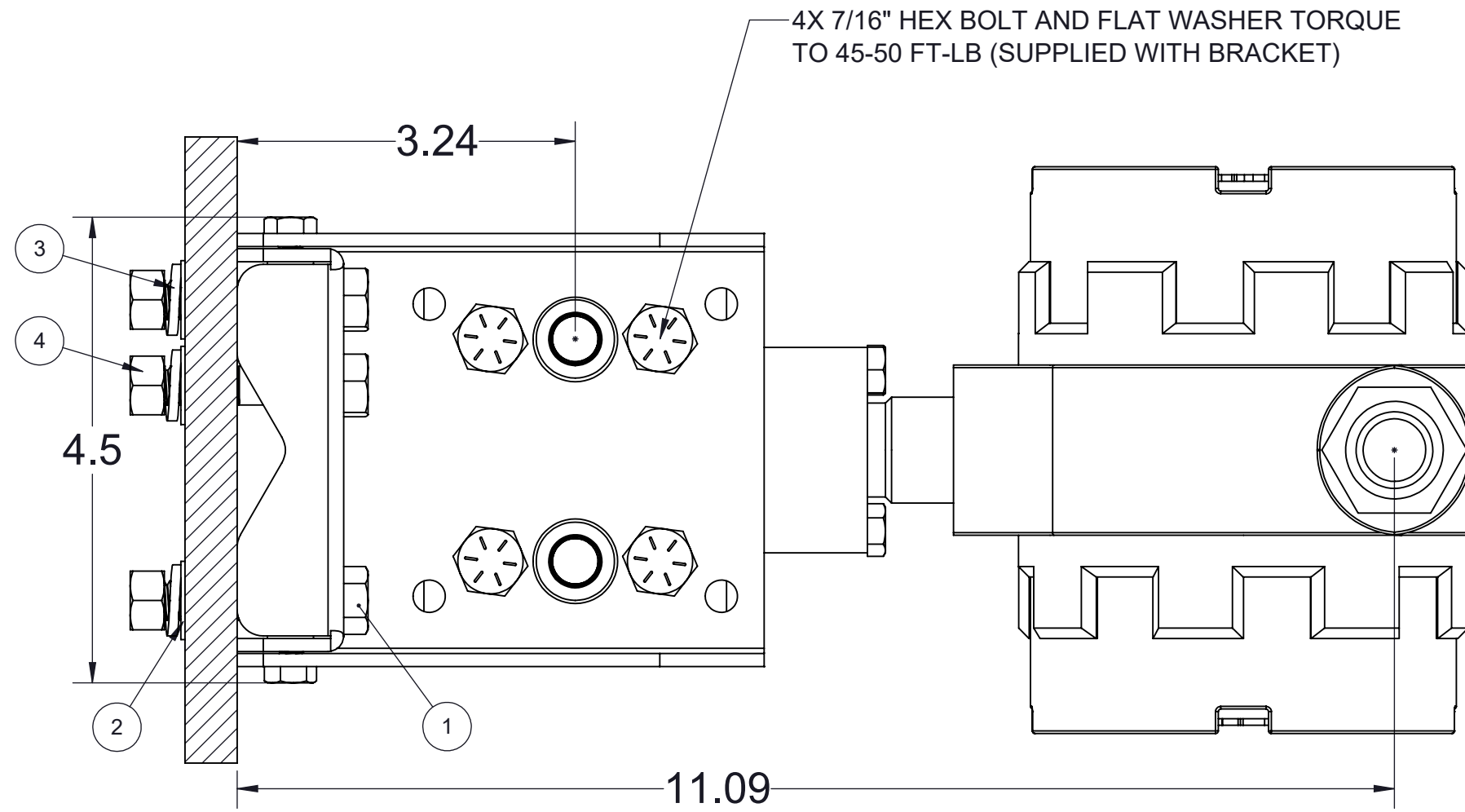
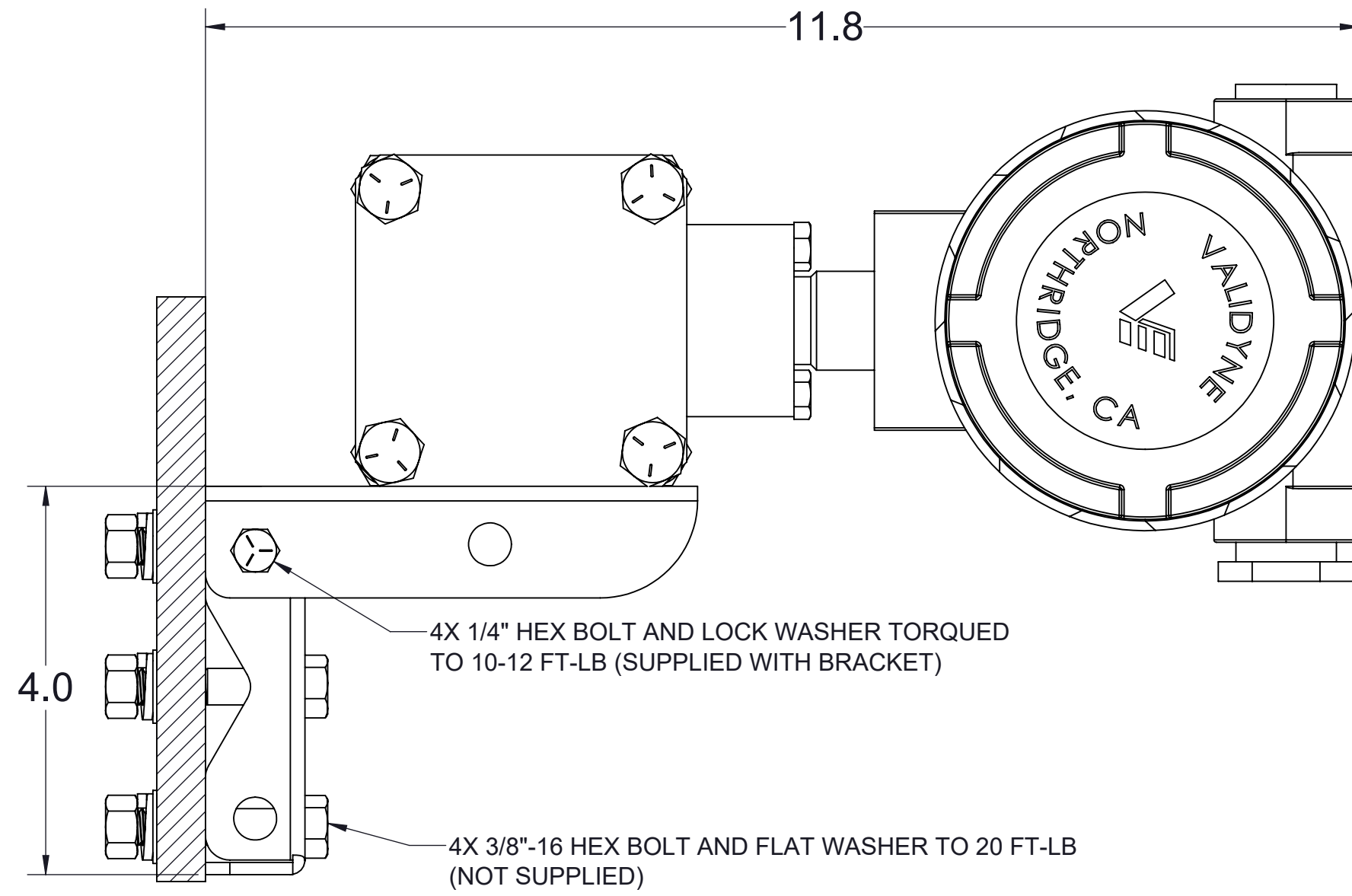
4

3

2

1

WALL MOUNT SEISMIC MOUNTING KIT 1000-520-0015T



MOUNTING HARDWARE ****NOT**** SUPPLIED BY ULTRA ENERGY

ITEM	DESCRIPTION	QTY
1	BOLT: 3/8 - 16 UNC (ASME SA-193 B8, CLASS 2)	4
2	FLAT WASHER: 3/8" 304SS (ASME B18.22.1)	4
3	NUT: 3/8"-16 UNC (ASME SA-194 Gr8 HEAVY HEX)	4
4	SPLIT LOCK WASHER: 3/8 304SS (ASME B18.22.1)	4

NOTICE: PROPRIETARY INFORMATION. THIS DOCUMENT MAY NOT BE REPRODUCED OR USED FOR MANUFACTURING PURPOSES EXCEPT WHEN NECESSARY TO FULFILL CONTRACTUAL REQUIREMENTS WITH ULTRA ELECTRONICS, NSPI OR WITH PRIOR WRITTEN CONSENT OF ULTRA ELECTRONICS, NSPI.

Ultra ELECTRONICS Nuclear Sensors & Process Instrumentation
 Round Rock, Texas, USA
www.ultra-nspi.com

SIZE C	CAGE CODE 33969	DWG. NO. 0029-200-2001	REV. 0
SCALE: 2:3	CAD FILE	SEE DWG NO.	SHEET 2 OF 2