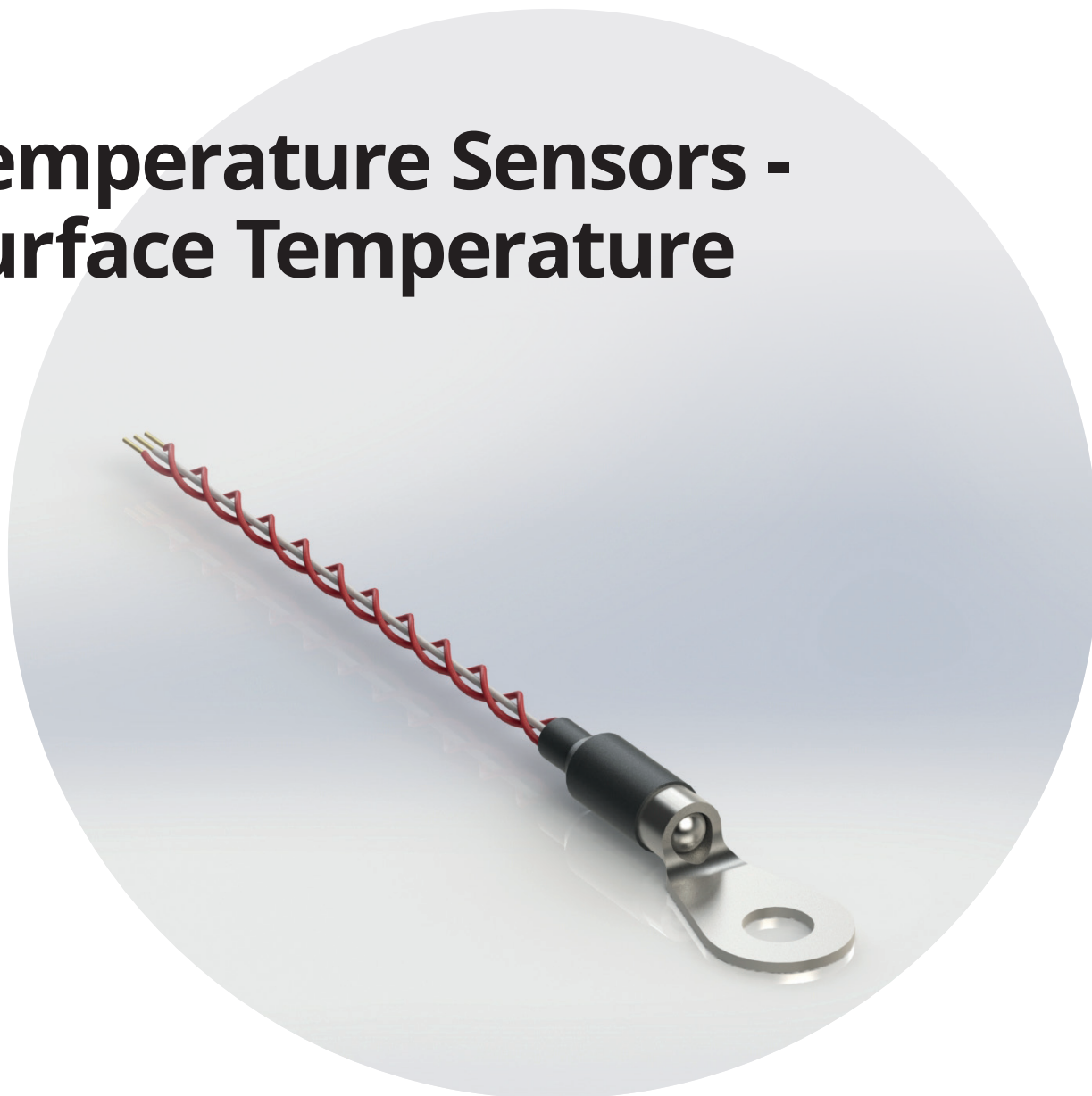


ULTRA.



Temperature Sensors - Surface Temperature



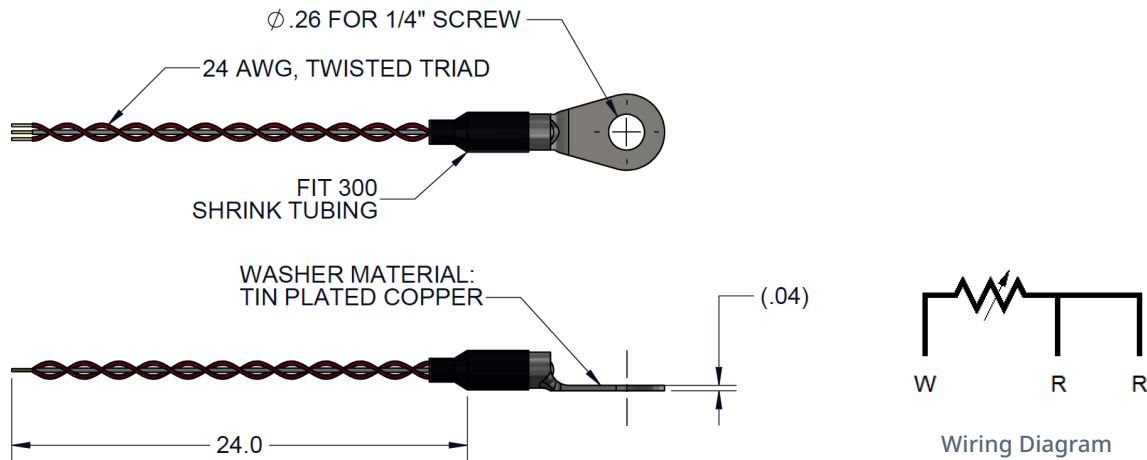
Key features

- Mounts onto a variety of surfaces
- Almost endless amounts of housing designs available
- Useful for test setups and other mounting applications

Overview

Ultra's surface temperature sensors easily attach to flat or curved surfaces. Their rugged design and small size make them ideal for many applications. Typical measurements include aircraft skin temperature, environmental temperature surrounding critical electronic components, and fluid temperature through the surface of a conduit.

Surface Temperature Sensors



Model	Features	Temperature Range	Size	Sensing Element	Typical Applications
A9515	Moisture-Sealed; small size; epoxy housing; fast response	-65° to 260°C	.425" x .425" x .1"	100 to 1000 ohm Thin-Film Platinum RTD	Missile Guidance Systems, avionics computers, electronic engine controls, heat exchangers
A9540	Ceramic housing; high temp. capability; very small size	-196° to 600°C	.155" x .155" x .05"	500 ohm wire-wound Platinum RTD	Temperature compensation, rocket motor flight testing, thermal imaging systems

