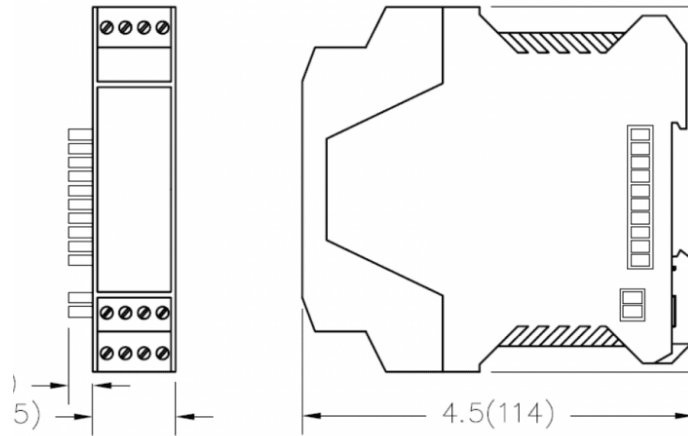


ULTRA

Ultra Energy
www.ultraelectronicsenergy.com

Phone: (512) 434-2800
Email: CustomerCare@ultra-nspi.com

Product Data Sheet CC-TM13



Specifications

NAME	DESCRIPTION
Module Type	Transmitter
Channels	2
Optical Wavelength	1300nm
Optical Mode	Multi-mode
Optical Dynamic Range	12dB
Power Requirements	7.5Vdc via the BUS interconnections (from any EOTec 2000 power supply module) or 12 to 30Vdc @ 400mA, via a pluggable, screw terminal block on the CC-T/CC-R module
Relay Contact Output	SPDT Form C relay, via a pluggable, screw terminal, 12 to 24 AWG (0.5-2.4mm) cage-clamp 60W, 125VA, maximum switching voltage 2A switching, 3A carry, maximum current 100,000,000 cycles, minimum operational life
Contact Closure Input	External dry contacts connected via pluggable, screw terminal blocks, accepts 12 to 24 AWG, 5Vdc @ 1.4mA min. contact rating, 1K ohm max. resistance
LED Status Indicators	Power on green, ch. A relay energized/input contact closed green, ch. B relay energized/contact input closed green, fiber transmit - amber
Data Update Rate	15ms regardless of the number of channels utilized
Ambient Conditions	-40 to 85°C operational
Weight	<9oz. (250g)

Accessories

I/O Modules

CC-I, CC-O