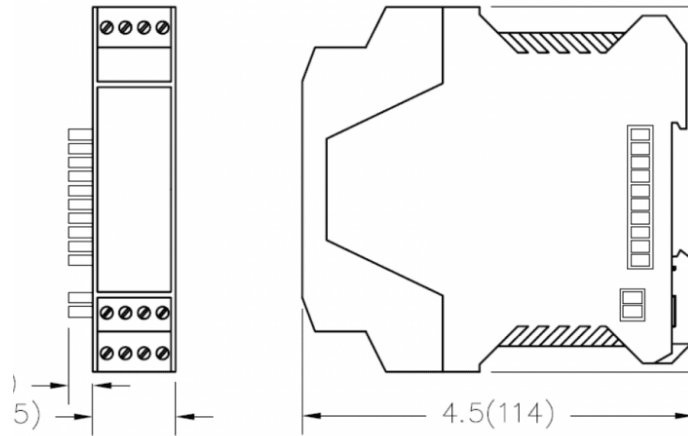


ULTRA

Ultra Energy
www.ultraelectronicsenergy.com

Phone: (512) 434-2800
Email: CustomerCare@ultra-nspi.com

Product Data Sheet FOT-CC-1300-SM-STD



Specifications

NAME	DESCRIPTION
Module Type	Transmitter
Optical Mode	Single Mode
Optical Wavelength	1300nm
Input/Output	Input
Optical Connector Type	ST
Power	24Vdc @ 50mA
Optical Dynamic Range	30dB into 200/230 μ m fiber, 18dB into 62.5/125 μ m fiber
Relay Contact Rating (FOR-CC)	Maximum switching voltage 100Vdc, 250VAC, 5A @ 30Vdc, 10A @ 125VAC, 6A @ 277VAC (resistive load)
Connections	Cage-clamp screw terminals, 12-24 AWG (0.5-2.4mm)
Indicators	Green LED, power, closed contacts
Input (FOT-CC)	Dry contacts, 10 ohms max. contact resistance
Ambient Conditions	-40 to 85°C operational, 0-95% relative humidity, non-condensing
Weight	<5oz. (140g)

Accessories

Power Supply

PSM-CC