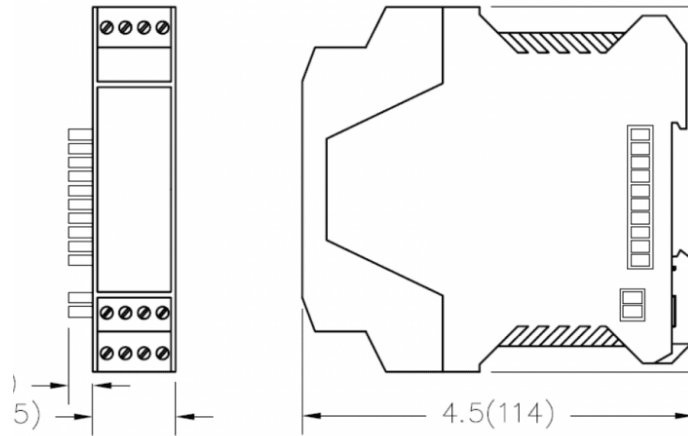


Product Data Sheet MXCC-IP4



Specifications

NAME	DESCRIPTION
I/O Module Type	Contact Closure In
Channels	4

Accessories

Base Units

MXB-MM2, MXB-SM15, MXB-SM40, MXB-SM80, MXBMN